

Honeywell

MORLEY IAS
FIRE SYSTEMS

ADVANCED & RELIABLE MORLEY LITE FIRE ALARM CONTROL PANELS



MORLEY LITE FIRE ALARM CONTROL PANEL

Honeywell Morley Lite is a Compact, High Performance, Feature enriched Fire Alarm Control Panel designed to meet the Fire Detection Addressability. Honeywell Morley-Lite Fire Detection Control Panel series is ideally suited for Small to Medium Sized Buildings, Residential Complexes, Banks, Healthcare, Restaurants, Retail Stores etc. Morley Lite panels communicates via LiteSpeed™ protocol with Morley Lite detectors and devices.

Morley Lite Panel is built with Combination of quick installation, enhanced feature set and advanced programming which allows installer to meet demands of the end user with flexibility in configuration. Equipped with configurable remote monitoring inputs, programmable relays, delay setting for alarm verification, software isolation of class B circuit and NAC outputs, mapping of NAC to specific class B circuits, password protections etc.

End users get clear visible indications, easy to operate functions to activate the control buttons, customizable class B circuit text via text inserts to meet building naming conventions. Reliable and trouble free system built as per latest safety standards of industry which ensures system is safe and protected. Internal memory lock feature to restrict changes to fire panel configuration by any intruder without key lock.



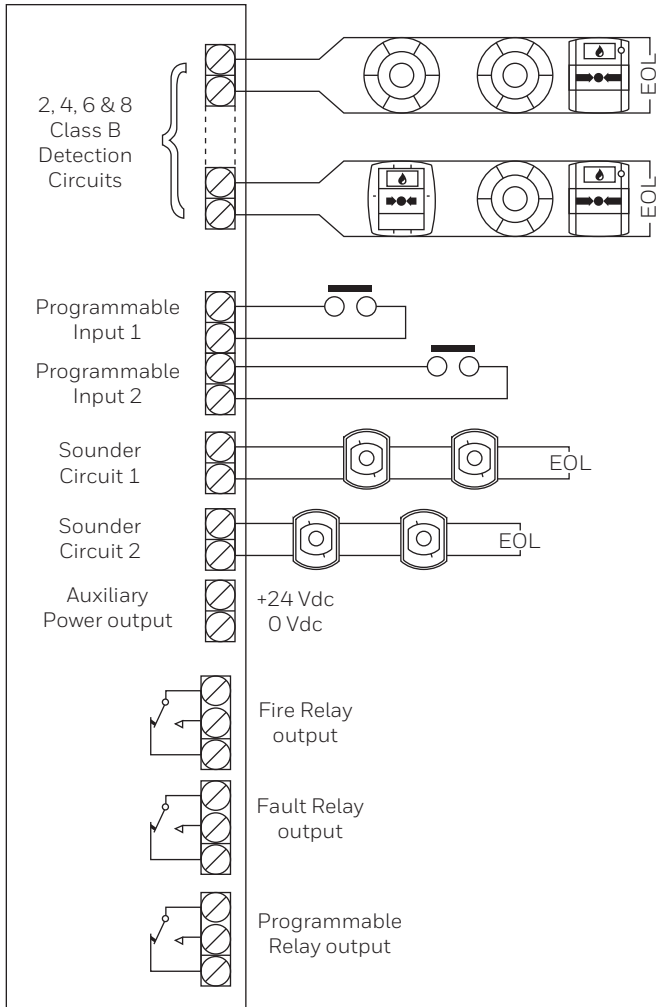
FEATURES

- Display: 16 X 4 Char LCD Screen.
- Control Keys: Silence Buzzer, Silence/Resound Alarm, Reset, Evaluate, Accept delay.
- Indicators: Fault, NAC Fault, Earth Fault, Fire, Power, System Fault.

USER INTERFACE

| | | |
|---|--|--|
| 16* 4 Char LCD display, Aesthetically designed front fascia | Fire, Fault, Configurable Relay | Staged Delay configuration for alarm verification |
| Individual Class B Circuit Isolation | Circuit wise NAC configuration | Engineering Mute Configuration |
| Customizable text inserts | NAC Enable/Disable facility | Battery Charging/Battery Internal Resistance Monitoring |
| Programmable input for remote reset/evacuate/alert/fire | Monitored NAC and Class B Circuit for Open/Short/Faults | Aux output facility |
| Event Logging | PC tool for advanced configuration needs/ Event exploring | On board memory lock switch to prevent unauthorized panel configuration changes. |
| Lamp Test Facility | One Man walk test facility | Configurable delays to output, with timer to fire indication |
| Detectors/MCPs in same circuit | Upto 1000m cable connectivity per circuit, Typically 20 Detectors per Class B Circuit+ 5 MCP's | Latching/Non-Latching configuration for fault for easy debugging |
| Data/Time/Password configuration | Earth Fault Monitoring | Mechanical Keylock |
| Separate configuration/user memories/system fault, sound/ resound feature like EN 54-4 standard | Certified for Safety standard IEC 62368-1:2018 | CE certificate |

WIRING DIAGRAM



| Mechanical Specifications | |
|---------------------------|--|
| Dimensions (H X W X D) | 360 X 422 X 122.8 mm (Front Facia), 360 X 380 X 92.3 mm (Back Box) |
| Weight | 5.8 Kg Approx. (No Battery Fitted) |
| Construction | Powder coated Cold Rolled STEEL 1.2mm thick |
| Cable Entry | 15 X 20mm Knockout |
| Operating Temperature | 0 to 49°C |
| Relative Humidity | 5% to 95% Non-Condensing |
| Electrical Specifications | |
| Operating Voltage | 230V-AC +/- 20% Output current 2A maximum, Alarm Load 1A Maximum |
| Standby Batteries | Minimum capacity 2 x 12 V 2.8Ah, Maximum capacity 2 x 12 V 7 Ah |
| Detection Circuits | 2, 4, 6, 8 Class B Circuit, Max 2mA per Detect or Circuit |
| Approved Detectors | Honeywell Morley Lite Series |
| Programmable Inputs | Configurable (Alarm, Reset, Evacuate) |
| Programmable Input | Extended closing contact |
| Trigger External Outputs | Sounder Outputs: <ul style="list-style-type: none"> • 2 monitored outputs • 0.5 Amps per circuit Auxiliary Output: <ul style="list-style-type: none"> • 18.5 to +28.5 Vdc, 0.5 Amp. (max) |

Circuit diagram*

* Number of Programmable input might vary based on panel model, minimum 1 would be supported in all variants, check installation manual for all details

COMPATIBLE DEVICES

| Order Codes | Description |
|-------------|--|
| HML/PSE | Morley Lite Photo-Electric Smoke Detector |
| HML/PTSE | Morley Lite Photo-Electric Smoke & Heat Detector |
| HML/RHSE | Morley Lite Heat Detector |
| B/401 | Plug-in detector base |

ORDERING PART CODES

| Order Codes | Manufacturer Part No. |
|--------------------|---|
| HML/100/2A | Morley Lite 2 Circuit Class B Fire Alarm Control Panel |
| HML/100/4A | Morley Lite 4 Circuit Class B Fire Alarm Control Panel |
| HML/100/6A | Morley Lite 6 Circuit Class B Fire Alarm Control Panel |
| HML/100/8A | Morley Lite 8 Circuit Class B Fire Alarm Control Panel |
| MCP2A/R470FF/01 | System Sensor MCP Red W/O Back Box |
| MCP2A/R470SF/01 | System Sensor MCP Red with Back Box |
| W1A-R470SF-K013-01 | System Sensor WCP Red, Flexible Element |
| W1A-R470SG-K013-81 | System Sensor Intrinsic WCP Red, Glass Element |
| SYS/HS | System Sensor Horn cum Strobe, Wall, Red, Standard Candela |
| SYS/HS/C | System Sensor Horn cum Strobe, Ceiling, Red, Standard Candela |
| SYS/ST | System Sensor Strobe, Wall, Red, Multi Candela |
| SYS/ST/C | System Sensor Strobe, Ceiling Mount, Red, Multi Candela |
| MHR/1 | System Sensor Red Mini Horn, Red, UL certified |

For more information,

www.honeywellbuildings.in
 Call: 1-800-103-0339
 Email: HBT-Indiabuildings@honeywell.com

Honeywell HBT India Buildings

Unitech Trade Center, 5th Floor,
 Sector-43, Block C, Sushant Lok
 Phase - I, Gurgaon - 122 002.